



全球信赖品质
World Trusted Quality



CRAA产品认证
Certified by CRAA
ISO9001质量管理体系认证
Certified by ISO9001 quality system
ISO14001环境管理体系认证
Certified by ISO14001 environment system
欧盟CE认证
EU CE Certification

AIR CONDITIONING TERMINALS 空调末端系列 B3

Fan-coils

风机盘管机组



www.yatai.cc

以前我们认识世界，现在世界认识我们
We knew the world before, the world knows us now.



Dezhou YATAI Group CHINA

Dezhou YATAI Group

Dezhou YATAI Group CHINA

Dezhou YATAI Group CHINA

以人为本 / 品质 / 创新 / 服务

Dezhou YATAI Group CHINA

Dezhou YATAI Group CHINA

Dezhou YATAI Group
Dezhou

Dezhou YATAI Group CHINA

Dezhou YATAI Group CHINA

Dezhou YATAI Group CHINA

德州亚太集团有限公司

德州市亚太空调设备有限公司

德州亚佳制冷空调工程有限公司

德州亚太集团安装有限公司

德州市亚太玻璃钢设备有限公司

Dezhou Yatai Group Co.,Ltd

Dezhou Yatai Air Conditioning Equipment Co.,Ltd

Dezhou Yatai Glass Fiber Reinforced Plastic Equipment Co.,Ltd

Dezhou Yatai Environmental Protection Facilities Engineering Co.,Ltd

Dezhou Yajia Refrigeration Air Conditioning Project Co.,Ltd

Dezhou YATAI Group CHINA

Dezhou YATAI Group CHINA
Dezhou YATAI Group CHINA



Dezhou YATAI Group CHINA

Dezhou YATAI Group CHINA

Dezhou YATAI Group China

Dezhou YATAI Group CHINA

中国德州亚太集团

DEZHOU YATAI GROUP

CHINA

Dezhou YATAI Group CHINA
Dezhou YATAI Group CHINA

I Group CHINA
YATAI Group CHINA

亚太的品牌理念

全力推动创新科技的应用
致力于人类生活品质的提升、让科技引领生活
创世界满意品牌

THE CONCEPT OF YATAI BRAND

Promotes,with full strength,the application of innovative technology.Strives for the extension of living quality for human being,let the science and technology lead the new life and creates world satisfactory brand.

全球信赖品质

World Trusted Quality



德州亚太集团是国内大型暖通空调、洁净技术系统集成供应商。

集多年潜心研究，博采众长自成体系，打造出一流的暖通空调、洁净技术全套设备和众多精品工程。国内以中央电视台新址、酒泉卫星发射中心、北京大兴国际机场、国家质检总局、北京小汤山医院、武汉火神山医院、武汉雷神山医院、三峡工程及近二十个北京奥运场馆等为代表，国外以巴基斯坦乌奇电厂、柬埔寨金边市大都会广场、印度帕帕多拉工程为代表的重点项目，采用了亚太中央空调设备，长期稳定，节能环保，获得了广泛的赞誉。

ISO9001、14001、3C、UL、CE、CRAA 等一系列认证；主机列入节能产品政府采购清单、数十项国家专利、国家级高新技术企业、中国驰名商标，充分标明了亚太集团的管理水平和产品水平。

与荷兰阿波罗合资，以欧洲标准制造的洁净设备全部返销发达国家、中央空调设备相继进入十几个国家和地区，展示亚太集团已经步出国门，与国际接轨。

植根齐鲁大地，秉持“以人为本”的经营理念，崇尚“以德待人”的儒家文化，亚太集团愿与您共同开创明天的辉煌。

Dezhou Yatai Group is a supplier of large HVAC and clean system in China.

Yatai has developed whole set of advanced HVAC and clean technology equipment and lots of wonderful projects based on long-term research and features of the others.

Many famous projects adopted Yatai central air conditioners that run smoothly, save energy, protect environment and have won good reputation widely like the New CCTV, the Jiuquan Satellite Launching Center, Beijing Daxing International Airport, the General Bureau of National Quality Inspection, Beijing Xiaotangshan hospital, Wuhan Huoshenshan hospital, Wuhan Leishenshan hospital, Three-gorge Engineering Project, and over 20 Beijing Olympic Stadiums in China; the UCH Power Plant in Pakistan, the Phnom Penh Capital Squire in Cambodia, the Priyadarshini Jurala Project in India and others across the world.

Yatai has been certified by ISO9001, 14001, 3C, UL, CE, CRAA, etc.; its chiller names have been put on the government purchasing list as energy saving products and obtained dozens of national patents, titles of National High-technology Enterprise and Chinese Famous Trademark, which fully show the high management levels and product qualities of Yatai Group.

The filtering equipment made according to the European Standards by the joint venture, which is co-invested by Dutch Afpro Company and Yatai, are all exported to the developed countries; our central air conditioners have been exported to over 10 countries or regions, which show that Yatai Group has stepped into oversea markets and been in line with the world.

Located at Shandong Province, insisting on business idea of "humanism" and advocating the Confucianism of "getting along with people by morality", Yatai Group wishes to create a brilliant future with you.



中国德州亚太集团
CHINA DEZHOU YATAI GROUP



以一流技术研制全方位产品

Developing the omni-directional products by the first-class technology

使用精品 造就精品

世界著名制造商生产的最现代化装备和领先同行业的高科技含量是亚太始终保持竞争优势的强力保证

Using high-quality goods Making high-quality goods

The modernized equipment produced by world famous manufacturers And the high content leading in the same profession

Are Yatai's guarantee of maintaining his competitive advantage all the time

全球信赖品质

World Trusted Quality



CRAA产品认证
Certified by CRAA
ISO9001质量管理体系认证
Certified by ISO9001 quality system
ISO14001环境管理体系认证
Certified by ISO14001 environment system
欧盟CE认证
EU CE Certification

Honorable Qualification



AIR CONDITIONING TERMINALS 空调末端系列

Fan coil units 风机盘管机组

目录

CATALOG

产品简述 Product description	02
型号说明 Model explanation	03
盘管特点 Feature of fan coil unit	03
产品图示 Pictures of products	04
性能参数 Performance Parameters	05
变工况供冷量修正系数 Modified coefficient of cooling supply capacity for variable working conditions	12
变工况供热量修正系数 Modified coefficient of heating supply capacity for variable working conditions	12
外形尺寸 Outside dimensions	13
电气原理图 Electric diagram	17
风机性能 Fan performance	18
噪声测定条件 Noise measurement conditions	18
安装维护使用说明 Explanation on installation, maintenance and use	18





组合式空调机组
Combination air-handling units



吊顶式空调机组KD(D)系列
Computer-controlling fiberglass rewinding pipes



风机盘管机组
Fan-coils



空调部件系列
Parts of air-conditioners

Fan-coils

风机盘管机组

AIR CONDITIONING
TERMINALS
空调末端系列

产品简介
Product introduction



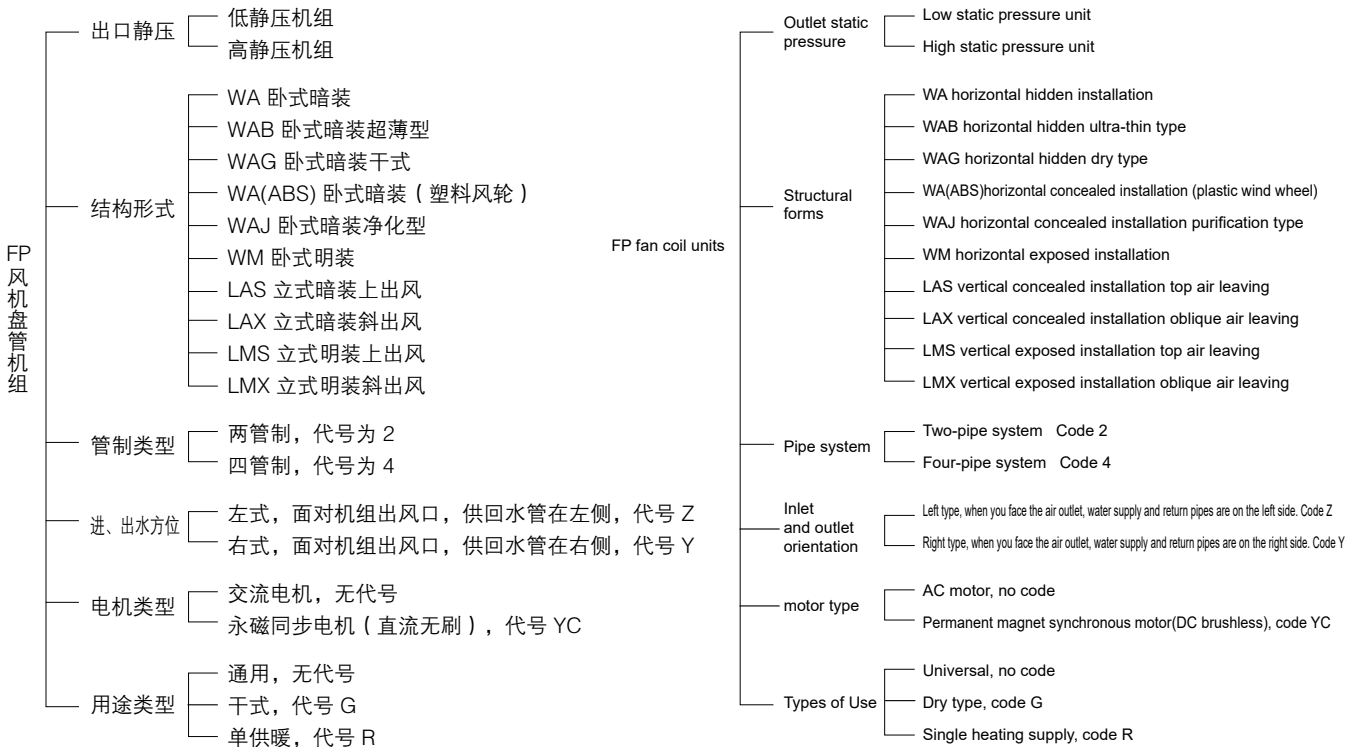
FAN-COILS



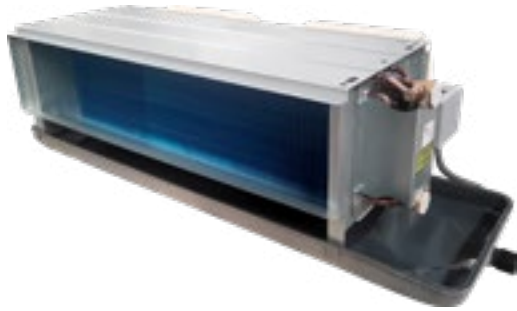
产品简述 Product description

亚太集团研发团队基于三十多年暖通行业经验，自行研发的风机盘管机组系列产品设计先进，性能优越，被广泛应用于宾馆、公寓、医院、写字楼等建筑，并在国内空调领域取得了令人瞩目的成绩。

The fan-coil units independently developed by Yatai group research team, which has more than thirty years of HVAC industry experience, are of advanced design and superior performance, which is widely used in hotels, apartments, hospitals, and office buildings. Yatai has made remarkable achievements in the field of air conditioning in China.



产品图示 Product explanation



WA 卧式暗装机组, 可带回风箱(分下回和后回两种)。
WAB超薄型卧式暗装机组, 厚度180mm, 业界最薄
机组不占用地面空间, 可理想的藏入装饰板内, 装饰性强。可选装暗藏式遥控温控器。
WA horizontal concealed type fan coil unit can be equipped with air return box(2 types: bottom air return and back air return).
WAB ultrathin horizontal concealed type fan coil unit, 180mm in thickness, the thinnest in the field.
It can be hidden inside the decoration board for beautiful looking. The hidden remote control temperature control is optional.



LAS 立式暗装上出风机组
LAX 立式暗装斜出风机组
机组进深220mm, 设计紧凑, 可方便的装于墙体装饰板内。
LAS vertical concealed top-air-leaving fan coil unit
LAX vertical concealed oblique-air-leaving fan coil unit
The fan coil unit depth is 220mm. Its compact construction makes it easy to be installed inside the wall decoration board.



LMS 立式明装上出风机组
壳体侧面板可灵活拆卸, 便于安装和维护, 机组美观大方。可选装液晶温控器。
LMS vertical exposed top-air-leaving fan coil unit
The side panel can be removed flexibly, so the assembly and maintenance can be done easily and the unit is beautiful. The LCD temperature control is optional.



LMX 立式明装斜出风机组
壳体侧面板可灵活拆卸, 便于安装和维护, 机组美观大方。可选装液晶温控器。
LMX vertical exposed oblique-air-leaving fan coil unit
The side panel can be removed flexibly, so the assembly and maintenance can be done easily and the unit is beautiful. The LCD temperature control is optional.



WM 卧式明装机组
机组外形简洁美观, 色彩可与室内任何装饰相配, 特别适用于旧楼改造。可选装暗藏式遥控温控器。
WM horizontal exposed fan coil unit
It is beautiful and its color can match with any indoor decoration, especially for refurbishing an old building. The hidden remote control temperature control is optional.



WAJ 卧式暗装净化杀菌型机组
分高压静电除尘、光氢离子、光触媒三种杀菌型式
WAJ horizontal hidden purification sterilization unit
Three types of sterilization: high voltage electrostatic dust removal, photohydrogen ion, and photocatalyst.



性能参数——WA卧式暗装交流电机风机盘管机组（3排管）

Unit performance parameters -- WA horizontal concealed AC motor fan coil unit (3 rows)

性能 Performance		型号 Model									
		FP-34	FP-51	FP-68	FP-85	FP-102	FP-119	FP-136	FP-170	FP-204	FP-238
额定风量 (m ³ /h) Rated air flow	高档 H speed	340	510	680	850	1020	1190	1360	1700	2040	2380
	中档 M speed	258	388	517	646	775	904	1034	1292	1550	1809
	低档 L speed	187	281	374	468	561	655	748	935	1122	1309
额定供冷量 (W) Rated cooling capacity	高档 H speed	2235	3073	3957	4962	5400	6879	7845	9380	12266	12737
	中档 M speed	1699	2335	3007	3771	4104	5228	5962	7129	9322	9680
	低档 L speed	1274	1752	2255	2828	3078	3921	4472	5347	6992	7260
额定供热量 (W) 供水温度60℃ Rated heating capacity (W) Water supply temperature 60℃	高档 H speed	3641	5096	6560	8370	8931	11126	12871	15726	20443	20879
	中档 M speed	2767	3873	4986	6361	6788	8456	9782	11952	15537	15868
	低档 L speed	2075	2905	3739	4771	5091	6342	7336	8964	11653	11901
额定供热量 (W) 供水温度45℃ Rated heating capacity (W) Water supply temperature 45℃	高档 H speed	2269	3058	3936	5022	5511	6923	7963	9718	12675	12945
	中档 M speed	1724	2324	2991	3817	4188	5261	6052	7386	9633	9838
	低档 L speed	1293	1743	2244	2863	3141	3946	4539	5539	7225	7379
输入功率 (W) Input power	12Pa	36	50	60	74	93	112	130	147	183	221
	30Pa	40	56	70	82	105	121	151	169	206	245
	50Pa	48	60	75	94	114	131	169	204	243	291
噪声 dB (A) Noise	12Pa	37	39	41	43	45	46	46	48	50	52
	30Pa	40	42	44	46	47	47	48	50	52	53
	50Pa	42	44	46	47	49	50	50	52	54	56
FCEER (W/W)	12Pa	60	60	62	64	51	58	57	59	62	55
	30Pa	57	57	56	61	51	54	50	48	56	47
	50Pa	47	52	54	54	42	49	48	46	54	46
FCCOP (W/W) 供水温度60℃ The water supply temperature is 60℃	12Pa	78	83	91	94	83	86	83	87	85	81
	30Pa	70	74	79	85	75	77	73	78	76	69
	50Pa	65	66	72	64	64	67	65	64	66	63
FCCOP (W/W) 供水温度45℃ The water supply temperature is 45℃	12Pa	46	49	54	54	51	49	49	53	51	48
	30Pa	39	43	47	49	45	46	43	47	46	44
	50Pa	35	39	41	43	42	43	38	40	40	38
净重 (kg) Net weight	无回风箱 Without air return box	11	13	15	16	18	19	24	28	31	34
	带回风箱 With air return box	13	16	18	20	21	23	29	33	37	39
水阻 (kpa) Water resistance		23	23	30	30	30	40	40	40	40	50
供水量 (kg/min) Water supply		6.4	8.8	11.3	14.3	15.4	19.7	22.5	26.9	35.2	36.5
风机 Fan	形式	前向多翼离心式双吸风机 Forward multi-wing centrifugal double suction fan									
	数量	1	2	2	2	2	2	3	4	4	4
电机 Motor	形式	单相电容型电机 (220V50Hz, 防护等级IP20, 绝缘等级B级) Single-phase capacitive motor (220V50Hz, protection class IP20, insulation class B)									
	数量	1	1	1	1	1	1	2	2	2	2
换热器 Heat exchanger		φ7紫铜管串亲水铝翅片 φ7 red copper pipes go through hydrophilic aluminum fins					φ9.52紫铜管串亲水铝翅片 φ9.52 red copper pipes go through hydrophilic aluminum fins				
		紫铜管串亲水铝翅片, 设计压力1.6MPa, 进、出水管径Rc3/4" (锥管内螺纹) Red copper pipes go through hydrophilic aluminum fins. Designed pressure is 1.6MPa. Diameters of the water inlet and outlet pipes are Rc3/4" (taper pipe thread)									
凝结水管管径 Condensation pipe diameter		R3/4" (锥管外螺纹) R3/4" (Taper tube, external thread)									

注:

1. 供冷状态: 供、回水温度7℃/12℃。进风空气干球温度27℃, 湿球温度19.5℃。供水量按水温差得出。
2. 供热状态: 供水温度60 (或45)℃。进风空气干球温度21℃, 湿球温度≤15℃。供水量与供冷工况相同。
3. 表中噪声是在消声室或半消声室 (半消声室地面应为反射面) 所测值。
4. 如实际运行工况与标准工况不同, 请参照样本修正系数表数据予以修正。

Note:

1. cooling state: supply and return water temperature 7℃/12℃. Inlet air dry bulb temperature 27℃, wet bulb temperature 19.5℃. The amount of water supplied is calculated according to the water temperature difference.
2. heating state: water supply temperature 60/45℃. Inlet air dry bulb temperature 21℃, wet bulb temperature ≤15℃. Water supply and cooling conditions are the same.
3. The noise in the table is measured in an anechoic chamber or a semi-anechoic chamber (the floor of the semi-anechoic chamber should be the reflecting surface).
4. If the actual operating conditions are different from the standard operating conditions, please refer to the data in the sample correction coefficient table for correction.



性能参数——WA卧式暗装交流电机风机盘管机组（2+1排）

Unit performance parameters - WA horizontal hidden AC motor unit parameters (2+1 row)

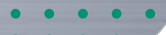
性能 Performance		型号 Model	FP-34	FP-51	FP-68	FP-85	FP-102	FP-119	FP-136	FP-170	FP-204	FP-238
额定风量 (m ³ /h) Rated air flow	高档 H speed		340	510	680	850	1020	1190	1360	1700	2040	2380
	中档 M speed		258	388	517	646	775	904	1034	1292	1550	1809
	低档 L speed		187	281	374	468	561	655	748	935	1122	1309
额定供冷量 (W) Rated cooling capacity	高档 H speed		1800	2700	3600	4500	5400	6300	7200	9000	10800	12600
	中档 M speed		1368	2052	2736	3420	4104	4788	5472	6840	8208	9576
	低档 L speed		1026	1539	2052	2565	3078	3591	4104	5130	6156	7182
额定供热量 (W) 供水温度60°C Rated heating capacity (W) Water supply temperature 60°C	高档 H speed		2298	2852	3838	4202	4947	5772	6596	8149	9779	11172
	中档 M speed		1746	2168	2917	3194	3760	4387	5013	6193	7432	8491
	低档 L speed		1310	1626	2188	2395	2820	3290	3760	4645	5574	6368
额定供热量 (W) 供水温度45°C Rated heating capacity (W) Water supply temperature 45°C	高档 H speed		1430	1770	2380	2610	3070	3580	4090	5060	6070	6930
	中档 M speed		1087	1345	1809	1984	2333	2721	3108	3846	4613	5267
	低档 L speed		815	1009	1357	1488	1750	2041	2331	2884	3460	3950
输入功率 (W) Input power	12Pa		36	50	60	74	93	112	130	147	183	221
	30Pa		40	56	70	82	105	121	151	169	206	245
	50Pa		48	60	75	94	114	131	169	204	243	291
噪声 dB (A) Noise	12Pa		37	39	41	43	45	46	46	48	50	52
	30Pa		40	42	44	46	47	47	48	50	52	53
	50Pa		42	44	46	47	49	50	50	52	54	56
FCEER (WW)	12Pa		46	49	54	54	51	49	49	53	51	48
	30Pa		39	43	47	49	45	46	43	47	46	44
	50Pa		35	39	41	43	42	43	38	40	40	38
FCCOP (WW) 供水温度60°C The water supply temperature is 60°C	12Pa		33	35	39	39	37	36	36	39	38	36
	30Pa		27	31	34	35	33	34	31	34	34	33
	50Pa		25	28	29	30	31	31	28	29	29	28
FCCOP (WW) 供水温度45°C The water supply temperature is 45°C	12Pa		22	23	26	26	25	24	23	26	25	24
	30Pa		18	20	22	23	22	22	20	23	22	22
	50Pa		16	18	19	20	20	20	18	19	19	18
净重 (kg) Net weight	无回风箱 Without air return box		11	13	15	16	18	19	24	28	31	34
	带回风箱 With air return box		13	16	18	20	21	23	29	33	37	39
水阻 (kpa) Water resistance			30	30	30	30	40	40	40	40	40	50
风机 Fan	形式		前向多翼离心式双吸风机 Forward multi-wing centrifugal double suction fan									
	数量		1	2	2	2	2	2	3	4	4	4
电机 Motor	形式		单相电容型电机 (220V50Hz, 防护等级IP20, 绝缘等级B级) Single-phase capacitive motor (220V50Hz, protection class IP20, insulation class B)									
	数量		1	1	1	1	1	1	2	2	2	2
换热器 Heat exchanger			φ9.52紫铜管串亲水铝翅片, 设计压力1.6MPa, 进、出水管径Rc3/4" (锥管内螺纹) φ9.52 red copper pipes go through hydrophilic aluminum fins. Designed pressure is 1.6MPa. Diameters of the water inlet and outlet pipes are Rc3/4" (taper pipe thread)									
凝结水管管径 Condensation pipe diameter			R3/4" (锥管外螺纹) R3/4" (Taper tube, external thread)									

注:

1. 供冷状态: 供、回水温度7°C/12°C。进风空气干球温度27°C, 湿球温度19.5°C。供水量按水温差得出。
2. 供热状态: 供水温度60°C, 供回水温差10°C; 供水温度45°C, 供回水温差5°C。进风空气干球温度21°C, 湿球温度≤15°C。供水量按水温差得出。
3. 表中噪声是在消声室或半消声室(半消声室地面应为反射面)所测值。
4. 如实际运行工况与标准工况不同, 请参照样本修正系数表数据予以修正。

Note:

1. cooling state: supply and return water temperature 7°C/12°C. Inlet air dry bulb temperature 27°C, wet bulb temperature 19.5°C. The amount of water supplied is calculated according to the water temperature difference.
2. heating state: water supply temperature 60°C, supply and return water temperature difference 10°C; The water supply temperature is 45°C, and the temperature difference between supply and return water is 5°C. The inlet air dry bulb temperature is 21°C, wet bulb temperature ≤15°C. The amount of water supplied is calculated according to the water temperature difference.
3. The noise in the table is measured in an anechoic chamber or a semi-anechoic chamber (the floor of the semi-anechoic chamber should be the reflecting surface).
4. If the actual operating conditions are different from the standard operating conditions, please refer to the data in the sample correction coefficient table for correction.





性能参数——WA卧式暗装交流电机风机盘管机组（3+1排）

Unit performance parameters - WA horizontal hidden AC motor unit parameters (3+1 row)

性能 Performance		型号 Model									
		FP-34	FP-51	FP-68	FP-85	FP-102	FP-119	FP-136	FP-170	FP-204	FP-238
额定风量 (m³/h) Rated air flow	高档 H speed	340	510	680	850	1020	1190	1360	1700	2040	2380
	中档 M speed	258	388	517	646	775	904	1034	1292	1550	1809
	低档 L speed	187	281	374	468	561	655	748	935	1122	1309
额定供冷量 (W) Rated cooling capacity	高档 H speed	2168	2981	3838	4813	5400	6673	7610	9099	11898	13600
	中档 M speed	1648	2266	2917	3658	4104	5071	5784	6915	9042	10336
	低档 L speed	1236	1699	2188	2743	3078	3804	4338	5186	6782	7752
额定供热量 (W) 供水温度60°C Rated heating capacity (W) Water supply temperature 60°C	高档 H speed	2298	2852	3838	4202	4947	5772	6596	8149	9779	11172
	中档 M speed	1746	2168	2917	3194	3760	4387	5013	6193	7432	8491
	低档 L speed	1310	1626	2188	2395	2820	3290	3760	4645	5574	6368
额定供热量 (W) 供水温度45°C Rated heating capacity (W) Water supply temperature 45°C	高档 H speed	1430	1770	2380	2610	3070	3580	4090	5060	6070	6930
	中档 M speed	1087	1345	1809	1984	2333	2721	3108	3846	4613	5267
	低档 L speed	815	1009	1357	1488	1750	2041	2331	2884	3460	3950
输入功率 (W) Input power	12Pa	36	50	60	74	93	112	130	147	183	221
	30Pa	40	56	70	82	105	121	151	169	206	245
	50Pa	48	60	75	94	114	131	169	204	243	291
噪声 dB (A) Noise	12Pa	37	39	41	43	45	46	46	48	50	52
	30Pa	40	42	44	46	47	47	48	50	52	53
	50Pa	42	44	46	47	49	50	50	52	54	56
FCEER (W/W)	12Pa	59	59	61	63	50	57	56	58	61	54
	30Pa	56	56	55	60	50	53	49	47	55	46
	50Pa	46	51	53	53	41	48	47	45	53	45
FCCOP (W/W) 供水温度60°C The water supply temperature is 60°C	12Pa	33	35	39	39	37	36	36	39	38	36
	30Pa	27	31	34	35	33	34	31	34	34	33
	50Pa	25	28	29	30	31	31	28	29	29	28
FCCOP (W/W) 供水温度45°C The water supply temperature is 45°C	12Pa	22	23	26	26	25	24	23	26	25	24
	30Pa	18	20	22	23	22	22	20	23	22	22
	50Pa	16	18	19	20	20	20	18	19	19	18
净重 (kg) Net weight	无回风箱 Without air return box	12	14	16	17	18	20	26	29	32	35
	带回风箱 With air return box	14	17	19	21	22	24	30	34	38	41
水阻 (kpa) Water resistance		23	23	30	30	30	40	40	40	40	50
风机 Fan	形式	前向多翼离心式双吸风机 Forward multi-wing centrifugal double suction fan									
	数量	1	2	2	2	2	3	4	4	4	4
电机 Motor	形式	单相电容型电机 (220V50Hz, 防护等级IP20, 绝缘等级B级) Single-phase capacitive motor (220V50Hz, protection class IP20, insulation class B)									
	数量	1	1	1	1	1	1	2	2	2	2
换热器 Heat exchanger		φ9.52紫铜管串亲水铝翅片, 设计压力1.6MPa, 进、出水管径Rc3/4" (锥管内螺纹) φ9.52 red copper pipes go through hydrophilic aluminum fins. Designed pressure is 1.6MPa. Diameters of the water inlet and outlet pipes are Rc3/4" (taper pipe thread)									
凝结水管管径 Condensation pipe diameter		R3/4" (锥管外螺纹) R3/4" (Taper tube, external thread)									

注:

1. 供冷状态: 供、回水温度7°C/12°C。进风空气干球温度27°C, 湿球温度19.5°C。供水量按水温差得出。
2. 供热状态: 供水温度60°C, 供回水温差10°C; 供水温度45°C, 供回水温差5°C。进风空气干球温度21°C, 湿球温度≤15°C。供水量按水温差得出。
3. 表中噪声是在消声室或半消声室(半消声室地面应为反射面)所测值。
4. 如实际运行工况与标准工况不同, 请参照样本修正系数表数据予以修正。

Note:

1. cooling state: supply and return water temperature 7°C/12°C. Inlet air dry bulb temperature 27°C, wet bulb temperature 19.5°C. The amount of water supplied is calculated according to the water temperature difference.
2. heating state: water supply temperature 60°C, supply and return water temperature difference 10°C; The water supply temperature is 45°C, and the temperature difference between supply and return water is 5°C. Inlet air dry bulb temperature 21°C, wet bulb temperature ≤15°C. The amount of water supplied is calculated according to the water temperature difference.
3. The noise in the table is measured in an anechoic chamber or a semi-anechoic chamber (the floor of the semi-anechoic chamber should be the reflecting surface).
4. If the actual operating conditions are different from the standard operating conditions, please refer to the data in the sample correction coefficient table for correction.



性能参数——LM立式明装、LA立式暗装、WM卧式明装交流电机风机盘管机组 Performance parameters - LM vertical exposed installation, LA vertical concealed installation, WM horizontal exposed installation AC motor fan coil unit

性能 Performance		型号 Model									
		FP-34	FP-51	FP-68	FP-85	FP-102	FP-119	FP-136	FP-170	FP-204	FP-238
额定风量 (m ³ /h) Rated air flow	高档 H speed	340	510	680	850	1020	1190	1360	1700	2040	2380
	中档 M speed	258	388	517	646	775	904	1034	1292	1550	1809
	低档 L speed	187	281	374	468	561	655	748	935	1122	1309
额定供冷量 (W) Rated cooling capacity	高档 H speed	1940	2840	3740	4640	5400	6440	7340	9140	10940	12600
	中档 M speed	1368	2052	2736	3420	4104	4788	5472	6840	8208	9576
	低档 L speed	1026	1539	2052	2565	3078	3591	4104	5130	6156	7182
额定供热量 (W) 供水温度60°C Rated heating capacity (W) Water supply temperature 60°C	高档 H speed	2700	4050	5400	6750	8100	9450	10800	13500	16200	18900
	中档 M speed	2052	3078	4104	5130	6156	7182	8208	10260	12312	14364
	低档 L speed	1539	2309	3078	3848	4617	5387	6156	7695	9234	10773
额定供热量 (W) 供水温度45°C Rated heating capacity (W) Water supply temperature 45°C	高档 H speed	1800	2700	3600	4500	5400	6300	7200	9000	10800	12600
	中档 M speed	1368	2052	2736	3420	4104	4788	5472	6840	8208	9576
	低档 L speed	1026	1539	2052	2565	3078	3591	4104	5130	6156	7182
输入功率 (W) Input power		40	56	70	82	105	121	151	169	206	245
噪声 dB (A) Noise		40	42	44	46	47	47	48	50	52	53
FCEER (W/W)		40	40	48	50	46	48	44	48	48	45
FCCOP (W/W) 供水温度60°C The water supply temperature is 60°C		60	68	72	75	70	71	66	72	70	68
FCCOP (W/W) 供水温度45°C The water supply temperature is 45°C		41	45	49	50	47	48	45	49	50	45
净重 (kg) Net weight	LA	13	16	18	20	21	23	29	33	37	39
	LM / WM	25	27	32	34	36	37	42	48	50	57
水阻 (kpa) Water resistance		23	23	30	30	30	40	40	40	40	50
供水量 (kg/min) Water supply		6.4	8.8	11.3	14.3	15.4	19.7	22.5	26.9	35.2	36.5
风机 Fan	形式	前向多翼离心式双吸风机 Forward multi - wing centrifugal double suction fan									
	数量	1	2	2	2	2	2	3	4	4	4
电机 Motor	形式	单相电容型电机 (220V50Hz, 防护等级IP20, 绝缘等级B级) Single-phase capacitive motor (220V50Hz, protection class IP20, insulation class B)									
	数量	1	1	1	1	1	1	2	2	2	2
换热器 Heat exchanger		φ7紫铜管串亲水铝翅片 φ7 red copper pipes go through hydrophilic aluminum fins					φ9.52紫铜管串亲水铝翅片 φ9.52 red copper pipes go through hydrophilic aluminum fins				
		紫铜管串亲水铝翅片, 设计压力1.6MPa, 进、出水管径Rc3/4" (锥管内螺纹) Red copper pipes go through hydrophilic aluminum fins. Designed pressure is 1.6MPa. Diameters of the water inlet and outlet pipes are Rc3/4" (taper pipe thread)									
凝结水管管径 Condensation pipe diameter		WM机型R3/4" (锥管外螺纹), LA/LM机型φ20 WM model R3/4" (taper tube external thread), LA/LM model φ20									

注:
1、供冷状态: 供、回水温度7°C/12°C。进风空气干球温度27°C, 湿球温度19.5°C。供水量按水温差得出。
2、供热状态: 供水温度60 (或45°C)。进风空气干球温度21°C, 湿球温度≤15°C。供水量与供冷工况相同。
3、表中噪声是在消声室或半消声室 (半消声室地面应为反射面) 所测值。
4、如实际运行工况与标准工况不同, 请参照样本修正系数表数据予以修正。

Note:
1. cooling state: supply and return water temperature 7°C/12°C. Inlet air dry bulb temperature 27°C, wet bulb temperature 19.5°C. The amount of water supplied is calculated according to the water temperature difference.
2. heating state: water supply temperature 60/45°C. Inlet air dry bulb temperature 21°C, wet bulb temperature ≤15°C. Water supply and cooling conditions are the same.
3. The noise in the table is measured in an anechoic chamber or a semi-anechoic chamber (the floor of the semi-anechoic chamber should be the reflecting surface).
4. If the actual operating conditions are different from the standard operating conditions, please refer to the data in the sample correction coefficient table for correction.





性能参数——交流电机干式风机盘管机组

Unit performance parameters - AC motor dry type unit parameters

性能 Performance		型号 Model	FPG-34	FPG-51	FPG-68	FPG-85	FPG-102	FPG-119	FPG-136	FPG-170	FPG-204	FPG-238
额定风量 (m ³ /h) Rated air flow	高档 H speed		340	510	680	850	1020	1190	1360	1700	2040	2380
	中档 M speed		258	388	517	646	775	904	1034	1292	1550	1809
	低档 L speed		194	291	388	485	581	678	775	969	1163	1357
额定供冷量 (W) Rated cooling capacity	高档 H speed		680	1020	1360	1700	2040	2380	2720	3400	4080	4760
	中档 M speed		517	775	1034	1292	1550	1809	2067	2584	3101	3618
	低档 L speed		388	581	775	969	1163	1357	1550	1938	2326	2713
额定供热量 (W) 供水温度60℃ Rated heating capacity (W) Water supply temperature 60℃	高档 H speed		2110	3160	4210	5270	6320	7370	8420	10530	12640	14740
	中档 M speed		1604	2402	3200	4005	4803	5601	6399	8003	9606	11202
	低档 L speed		1203	1801	2400	3004	3602	4201	4799	6002	7205	8402
额定供热量 (W) 供水温度45℃ Rated heating capacity (W) Water supply temperature 45℃	高档 H speed		1290	1930	2570	3210	3860	4500	5140	6420	7710	8990
	中档 M speed		980	1467	1953	2440	2934	3420	3906	4879	5860	6832
	低档 L speed		735	1100	1465	1830	2200	2565	2930	3659	4395	5124
输入功率 (W) Input power	12Pa		36	50	60	74	93	112	130	147	183	221
	30Pa		40	56	70	82	105	121	151	169	206	245
	50Pa		48	60	75	94	114	131	169	204	243	291
噪声 dB (A) Noise	12Pa		37	39	41	43	45	46	46	48	50	52
	30Pa		40	42	44	46	47	47	48	50	52	53
	50Pa		42	44	46	47	49	50	50	52	54	56
FCEER (W/W)	12Pa		18	20	22	22	21	20	20	22	21	20
	30Pa		15	17	19	19	19	19	17	19	19	18
	50Pa		14	15	16	17	17	17	15	16	16	16
FCCOP (W/W) 供水温度60℃ The water supply temperature is 60℃	12Pa		57	61	67	68	64	62	62	68	65	62
	30Pa		48	54	58	60	57	58	53	59	58	57
	50Pa		43	48	50	53	53	54	48	50	50	48
FCCOP (W/W) 供水温度45℃ The water supply temperature is 45℃	12Pa		35	37	41	42	39	38	38	41	40	38
	30Pa		29	33	35	37	35	35	33	36	36	35
	50Pa		26	29	31	32	32	33	29	30	30	29
净重 (kg) Net weight	无回风箱 Without air return box		13	15	16	18	21	23	27	30	32	36
	带回风箱 With air return box		15	18	19	21	24	27	32	35	37	42
水阻 (kpa) Water resistance			30	30	30	30	40	40	40	40	40	50
风机 Fan	形式		前向多翼离心式双吸风机 Forward multi-wing centrifugal double suction fan									
	数量		1	2	2	2	2	2	2	3	4	4
电机 Motor	形式		单相电容型电机 (220V50Hz, 防护等级IP20, 绝缘等级B级) Single-phase capacitive motor (220V50Hz, protection class IP20, insulation class B)									
	数量		1	1	1	1	1	1	1	2	2	2
换热器 Heat exchanger			φ9.52紫铜管串亲水铝翅片, 设计压力1.6MPa, 进、出水管径Rc3/4" (锥管内螺纹) φ9.52 red copper pipes go through hydrophilic aluminum fins. Designed pressure is 1.6MPa. Diameters of the water inlet and outlet pipes are Rc3/4" (taper pipe thread)									
凝结水管管径 Condensation pipe diameter			R3/4" (锥管外螺纹) R3/4" (Taper tube, external thread)									

注:

1. 供冷状态: 供、回水温度16℃/21℃。进风空气干球温度26℃, 湿球温度18.7℃。供水量按水温差得出。
2. 供热状态: 供水温度60 (或45)℃。进风空气干球温度21℃, 湿球温度≤15℃。供水量与供冷工况相同。

3. 表中噪声是在消声室或半消声室 (半消声室地面应为反射面) 所测值。

4. 如实际运行工况与标准工况不同, 请参照样本修正系数表数据予以修正。

Note:

1. cooling state: supply and return water temperature 16℃/21℃. Inlet air dry bulb temperature 26℃, wet bulb temperature 18.7℃. The amount of water supplied is calculated according to the water temperature difference.

2. heating state: water supply temperature 60/45℃. Inlet air dry bulb temperature 21℃, wet bulb temperature ≤15℃. Water supply and cooling conditions are the same.

3. The noise in the table is measured in an anechoic chamber or a semi-anechoic chamber (the floor of the semi-anechoic chamber should be the reflecting surface).

4. If the actual operating conditions are different from the standard operating conditions, please refer to the data in the sample correction coefficient table for correction.



性能参数——高档转速下永磁同步（直流无刷）电机风机盘管机组

Performance parameters--Permanent magnet synchronous (DC brushless) motor fan coil unit under high gear speed

性能 Performance		型号 Model												
		FP-34	FP-51	FP-68	FP-85	FP-102	FP-119	FP-136	FP-170	FP-204	FP-238	FP-272	FP-306	FP-340
额定风量 (m³/h) Rated air flow	高档 H speed	340	510	680	850	1020	1190	1360	1700	2040	2380	2720	3060	3400
额定供冷量 (W) Rated cooling capacity	高档 H speed	2235	3073	3957	4962	5400	6879	7845	9380	12266	12737	14400	16200	18000
额定供热量 (W) 供水温度60°C Rated heating capacity (W) Water supply temperature 60°C	两管制 Two-pipe system	3641	5096	6560	8370	8931	11126	12871	15726	20443	20879	21600	24300	27000
	四管制 Four-pipe system	1210	1820	2430	3030	3650	4250	4860	6070	7290	8500	9720	10930	12150
额定供热量 (W) 供水温度45°C Rated heating capacity (W) Water supply temperature 45°C	两管制 Two-pipe system	2269	3058	3936	5022	5511	6923	7963	9718	12675	12945	14400	16200	18000
	四管制 Four-pipe system	810	1210	1620	2020	2430	2830	3240	4050	4860	5670	6480	7290	8100
输入功率 (W) Input power	12Pa	22	30	36	44	56	67	78	88	114	139	199	228	257
	30Pa	26	34	42	51	65	73	91	101	140	166	291	330	369
	50Pa	29	40	49	61	80	90	101	125	173	208	299	342	387
	120Pa	58	77	98	117	138	158	203	230	306	378	423	495	577
噪声 dB (A) Noise	12Pa	37	39	41	43	45	46	46	48	50	52	53	54	55
	30Pa	40	42	44	46	47	48	48	50	52	54	55	56	57
	50Pa	42	44	46	47	49	50	50	52	54	56	57	58	59
	120Pa	44	46	48	49	51	53	53	54	56	58	59	60	61
FCEER (W/W)	12Pa	71	77	84	86	77	76	75	81	76	70	59	58	57
	30Pa	61	69	74	76	69	71	66	73	65	61	43	42	42
	50Pa	56	60	64	65	58	59	60	61	54	51	42	41	41
	120Pa	29	33	34	36	36	36	33	36	32	30	31	30	28
FCCOP (W/W) 供水温度60°C The water supply temperature is 60°C	两管制12Pa Two-pipe system	106	115	126	128	116	114	112	122	115	106	88	87	86
	两管制30Pa Two-pipe system	92	103	111	113	103	106	99	109	97	92	64	64	63
	两管制50Pa Two-pipe system	83	90	97	97	86	89	91	91	81	76	63	62	61
	两管制120Pa Two-pipe system	44	49	51	54	53	54	49	53	49	45	46	44	43
FCCOP (W/W) 供水温度45°C The water supply temperature is 45°C	两管制12Pa Two-pipe system	71	77	84	86	77	76	75	81	76	70	59	58	57
	两管制30Pa Two-pipe system	61	69	74	76	69	71	66	73	65	61	43	42	42
	两管制50Pa Two-pipe system	56	60	64	65	58	59	60	61	54	51	42	41	41
	两管制120Pa Two-pipe system	29	33	34	36	36	36	33	36	32	30	31	30	28
FCCOP (W/W) 供水温度60°C The water supply temperature is 60°C	四管制12Pa Four-pipe system	52	57	63	65	60	59	58	63	59	56	45	45	44
	四管制30Pa Four-pipe system	45	51	55	56	52	54	50	56	49	47	32	31	31
	四管制50Pa Four-pipe system	40	44	47	47	43	45	45	46	40	38	31	30	30
	四管制120Pa Four-pipe system	20	23	24	25	26	26	23	26	23	22	22	21	20
FCCOP (W/W) 供水温度45°C The water supply temperature is 45°C	四管制12Pa Four-pipe system	34	37	41	42	39	38	38	41	38	36	30	29	29
	四管制30Pa Four-pipe system	29	33	36	37	34	35	33	36	32	31	21	21	21
	四管制50Pa Four-pipe system	27	29	31	31	28	29	30	30	26	25	20	20	20
	四管制120Pa Four-pipe system	14	15	16	17	17	17	15	17	15	14	15	14	13
净重 (kg) Net weight	WA无回风箱 WA Without air return box	11	13	15	16	18	19	24	28	31	34	40	43	45
	WA带回风箱 WA With air return box	13	16	18	20	21	23	29	33	37	39	47	50	54
	LA	13	16	18	20	21	23	29	33	37	39	47	50	54
	LM / WM	25	27	32	34	36	37	42	48	50	57	60	63	65
冷水盘管水阻 (kpa) Water resistance of cold water fan coil	30	30	30	30	40	40	40	40	40	40	50	50	50	50
2/4管制热水盘管水阻 (kpa) 2/4 pipe-system hot water coil water resistance	30	30	30	30	40	40	40	40	40	40	50	50	50	50
风机 Fan	前向多翼离心式双吸风机 Forward multi-wing centrifugal double suction fan													
电机 Motor	永磁同步电机 Permanent magnet synchronous machine													
换热器 Heat exchanger	φ7紫铜管串亲水铝翅片 φ7 red copper pipes go through hydrophilic aluminum fins							φ9.52紫铜管串亲水铝翅片 φ9.52 red copper pipes go through hydrophilic aluminum fins						
	紫铜管串亲水铝翅片, 设计压力1.6MPa, FP-238以下型号进、出水管径Rc3/4", 其余Rc1" (锥管内螺纹) Red copper pipes through hydrophilic aluminum fins. Designed pressure is 1.6MPa. Diameters of the water inlet and outlet pipes of the Model FP-238 and its smaller models are Rc3/4", the others Rc1" (taper pipe thread)													
凝结水管管径 Condensation pipe diameter	LA/LM机型 φ20,WM机型R3/4" (锥管外螺纹) LA/LM model φ20,WM model R3/4" (taper tube external thread)													

注:
1. 供冷状态: 供、回水温度7°C/12°C。进风空气干球温度27°C, 湿球温度19.5°C。供水量按水温差得出。
2. 两管制供热状态: 供水温度60 (或45)°C。进风空气干球温度21°C, 湿球温度≤15°C。供水量与供冷工况相同。四管制供热状态: 供水温度60°C, 供回水温差10°C; 供水温度45°C, 供回水温差5°C。进风空气干球温度21°C, 湿球温度≤15°C。供水量按水温差得出。
3. 表中噪声是在消声室或半消声室 (半消声室地面应为反射面) 所测值。
4. 如实际运行工况与标准工况不同, 请参照样本修正系数表数据予以修正。

Note:
1. Cooling state: supply and return water temperature 7°C/12°C. Inlet air dry bulb temperature 27°C, wet bulb temperature 19.5°C. The amount of water supplied is calculated according to the water temperature difference.
2. Two-pipe system heating state: water supply temperature 60/45°C. Inlet air dry bulb temperature 21°C, wet bulb temperature ≤15°C. Water supply is the same as that in cooling conditions. Four-pipe system heating state: water supply temperature 60°C, supply and return water temperature difference 10°C; the water supply temperature is 45°C, and the temperature difference between supply and return water is 5°C. Inlet air dry bulb temperature 21°C, wet bulb temperature ≤15°C. The amount of water supplied is calculated according to the water temperature difference.
3. The noise in the table is measured in an anechoic chamber or a semi-anechoic chamber (the floor of the semi-anechoic chamber should be the reflecting surface).
4. If the actual operating conditions are different from the standard operating conditions, please refer to the data in the sample correction coefficient table for correction.



性能参数——高挡转速下永磁同步（直流无刷）电机干式风机盘管机组

Performance parameters - Permanent magnet synchronous (DC brushless) motor dry type fan coil unit under high gear speed

性能 Performance		型号 Model												
		FPG-34	FPG-51	FPG-68	FPG-85	FPG-102	FPG-119	FPG-136	FPG-170	FPG-204	FPG-238	FPG-272	FPG-306	FPG-340
额定风量 (m ³ /h) Rated air flow	高挡 H speed	340	510	680	850	1020	1190	1360	1700	2040	2380	2720	3060	3400
额定供冷量 (W) Rated cooling capacity	高挡 H speed	680	1020	1360	1700	2040	2380	2720	3400	4080	4760	5440	6120	6800
额定供热量 (W) Rated heating capacity	供水温度60℃ Water supply temperature 60℃	2110	3160	4210	5270	6320	7370	8420	10530	12640	14740	16860	18970	21080
	供水温度45℃ Water supply temperature 45℃	1290	1930	2570	3210	3860	4500	5140	6420	7710	8990	10280	11570	12850
输入功率 (W) Input power	12Pa	22	30	36	44	56	67	78	88	114	139	199	228	257
	30Pa	26	34	42	51	65	73	91	101	140	166	291	330	369
	50Pa	29	40	49	61	80	90	101	125	173	208	299	342	387
	120Pa	58	77	98	117	138	158	203	230	306	378	423	495	577
噪声 dB (A) Noise	12Pa	37	39	41	43	45	46	46	48	50	52	53	54	55
	30Pa	40	42	44	46	47	48	48	50	52	54	55	56	57
	50Pa	42	44	46	47	49	50	50	52	54	56	57	58	59
	120Pa	44	46	48	49	51	53	53	54	56	58	59	60	61
FCEER (W/W)	12Pa	29	32	35	36	33	33	32	35	33	31	25	25	24
	30Pa	25	28	30	31	29	30	28	31	27	26	18	18	17
	50Pa	22	24	26	26	24	25	25	25	22	21	17	17	17
	120Pa	11	13	14	14	14	15	13	14	13	12	12	12	11
FCCOP (W/W) 供水温度60℃ The water supply temperature is 60℃	12Pa	91	99	109	112	103	101	99	109	102	96	78	77	76
	30Pa	77	88	94	97	90	93	86	96	84	81	55	54	54
	50Pa	70	75	82	82	74	77	78	79	69	66	53	52	52
	120Pa	36	40	42	44	44	45	40	44	40	37	38	37	35
FCCOP (W/W) 供水温度45℃ The water supply temperature is 45℃	12Pa	55	60	67	68	63	62	61	66	62	58	48	47	46
	30Pa	47	54	58	59	55	57	52	59	51	50	33	33	33
	50Pa	43	46	50	50	45	47	48	48	42	40	33	32	31
	120Pa	22	24	26	27	27	27	24	27	24	23	23	22	21
净重 (kg) Net weight	无回风箱 Without air return box	13	15	16	18	21	23	27	30	32	36	39	42	47
	带回风箱 With air return box	15	18	19	21	24	27	32	35	37	42	45	50	54
水阻 (kpa) water resistance		30	30	30	30	40	40	40	40	40	50	50	50	50
风机 Fan	前向多翼离心式双吸风机 Forward multi-wing centrifugal double suction fan													
电机 Motor	永磁同步电机 (220V50Hz, 防护等级IP20, 绝缘等级B级) permanent magnet synchronous motor (220V50Hz, protection class IP20, insulation class B)													
换热器 Heat exchanger	紫铜管串亲水铝翅片, 设计压力1.6MPa。FP-238以下型号进、出水管径Rc3/4", 其余Rc1" (锥管内螺纹) Red copper pipes go through hydrophilic aluminum fins. Designed pressure is 1.6MPa. Diameters of the water inlet and outlet pipes of the Model FP-238 and its smaller models are Rc3/4", the others Rc1" (taper pipe thread)													
凝结水管管径 Condensation pipe diameter	R3/4" (锥管外螺纹) R3/4" (Taper tube, external thread)													

注:

1. 供冷状态: 供、回水温度16℃/21℃。进风空气干球温度26℃, 湿球温度18.7℃。供水量按水温差得出。
2. 供热状态: 供水温度60 (或45)℃。进风空气干球温度21℃, 湿球温度≤15℃。供水量与供冷工况相同。
3. 表中噪声是在消声室或半消声室 (半消声室地面应为反射面) 所测值。
4. 如实际运行工况与标准工况不同, 请参照样本修正系数表数据予以修正。

Note:

1. cooling state: supply and return water temperature 16℃/21℃. Inlet air dry bulb temperature 26℃, wet bulb temperature 18.7℃. The amount of water supplied is calculated according to the water temperature difference.
2. heating state: water supply temperature 60/45℃. Inlet air dry bulb temperature 21℃, wet bulb temperature ≤15℃. Water supply and cooling conditions are the same.
3. The noise in the table is measured in an anechoic chamber or a semi-anechoic chamber (the floor of the semi-anechoic chamber should be the reflecting surface).
4. If the actual operating conditions are different from the standard operating conditions, please refer to the data in the sample correction coefficient table for correction.



性能参数——单供暖风机盘管机组 Unit performance parameters –single heating fan coil unit

性能 Performance		型号 Model	FPR-34	FPR-51	FPR-68	FPR-85	FPR-102	FPR-119	FPR-136	FPR-170	FPR-204	FPR-238	FPR-272	FPR-306	FPR-340
		额定风量 (m³/h) Rated air flow	高档 H speed	340	510	680	850	1020	1190	1360	1700	2040	2380	2720	3060
	中档 M speed	258	388	517	646	775	904	1034	1292	1550	1809	2067	2326	2584	
	低档 L speed	194	291	388	485	581	678	775	969	1163	1357	1550	1744	1938	
额定供热量 (W) 供水温度60℃ Rated heating capacity (W) Water supply temperature 60℃	高档 H speed	3641	5096	6560	8370	8931	11126	12871	15726	20443	20879	21600	24300	27000	
	中档 M speed	2767	3873	4986	6361	6788	8456	9782	11952	15537	15868	16416	18468	20520	
	低档 L speed	2075	2905	3739	4771	5091	6342	7336	8964	11653	11901	12312	13851	15390	
额定供热量 (W) 供水温度45℃ Rated heating capacity (W) Water supply temperature 45℃	高档 H speed	2269	3058	3936	5022	5511	6923	7963	9718	12675	12945	13392	15066	16740	
	中档 M speed	1724	2324	2991	3817	4188	5261	6052	7386	9633	9838	10178	11450	12722	
	低档 L speed	1293	1743	2244	2863	3141	3946	4539	5539	7225	7379	7633	8588	9542	
输入功率 (W) Input power	交流电机 AC motor	36	50	60	74	93	112	130	147	183	221	-	-	-	
	永磁同步电机 Permanent magnet synchronous motor	22	30	36	44	56	67	78	88	114	139	199	228	257	
噪声 dB (A) Noise		37	39	41	43	45	46	46	48	50	52	53	54	55	
FCCOP (W/W) 交流电机 AC motor	供水温度60℃ Water supply temperature	70	75	83	84	78	76	75	82	80	75	-	-	-	
	供水温度45℃ Water supply temperature	46	49	54	54	51	49	49	53	51	48	-	-	-	
FCCOP (W/W) 永磁同步电机 Permanent magnet synchronous motor	供水温度60℃ Water supply temperature	112	120	131	133	123	119	118	128	120	112	90	89	88	
	供水温度45℃ Water supply temperature	72	77	84	85	78	76	75	81	76	70	57	56	55	
净重 (kg) Net weight	无回风箱 Without air return box	12	14	15	17	20	22	25	28	30	34	37	40	45	
	带回风箱 With air return box	14	17	18	20	23	26	31	34	35	40	43	47	52	
水阻 (kpa) Water resistance		30	30	30	30	40	40	40	40	40	50	50	50	50	
风机 Fan		前向多翼离心式双吸风机 Forward multi-wing centrifugal double suction fan													
电机 Motor		单相电容型电机 (220V50Hz, 防护等级IP20, 绝缘等级B级) Single-phase capacitive motor (220V50Hz, protection class IP20, insulation class B)													
换热器 Heat exchanger		紫铜管串亲水铝翅片, 设计压力1.6MPa, 进、出水管径Rc3/4" (锥管内螺纹) Red copper pipes go through hydrophilic aluminum fins. Designed pressure is 1.6MPa. Diameters of the water inlet and outlet pipes are Rc3/4" (taper pipe thread)													
凝结水管管径 Condensation pipe diameter		R3/4" (锥管外螺纹) R3/4" (Taper tube, external thread)													

注:
1、供热状态: 供水温度60 (或45)℃, 供水温差10/5℃。进风空气干球温度21℃, 湿球温度≤15℃。供水量按水温差得出。
2、表中噪声是在消声室或半消声室 (半消声室地面应为反射面) 所测值。
3、如实际运行工况与标准工况不同, 请参照样本修正系数表数据予以修正。

Note:
1.heating state: water supply temperature 60/45℃, supply and return water temperature difference of 10/5℃. Inlet air dry bulb temperature 21℃, wet bulb temperature ≤15℃. The amount of water supplied is calculated according to the water temperature difference.
2. The noise in the table is measured in an anechoic chamber or a semi-anechoic chamber (the floor of the semi-anechoic chamber should be the reflecting surface).
3. If the actual operating conditions are different from the standard operating conditions, please refer to the data in the sample correction coefficient table for correction.

变工况供冷量修正系数

Modified coefficient of cooling supply capacity for variable working conditions

进风温度℃ Air inlet temperature	进水温度℃ Water inlet temperature						
	5	6	7	8	9	10	
22	0.85	0.76	0.66	0.57	0.49	0.40	
23	0.92	0.83	0.74	0.65	0.56	0.47	
24	0.98	0.89	0.80	0.71	0.62	0.53	
25	1.06	0.97	0.88	0.79	0.70	0.61	
26	1.14	1.05	0.96	0.87	0.78	0.69	
27	1.21	1.12	1.00	0.94	0.85	0.76	
28	1.27	1.18	1.09	0.99	0.91	0.82	

变工况供热量修正系数

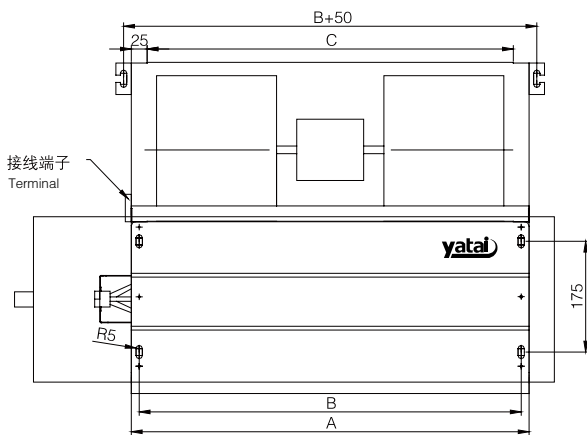
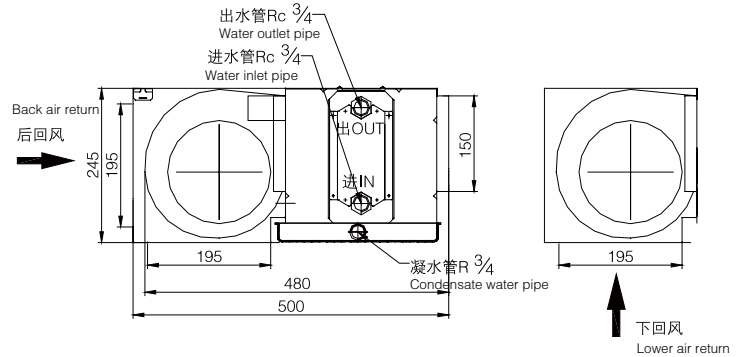
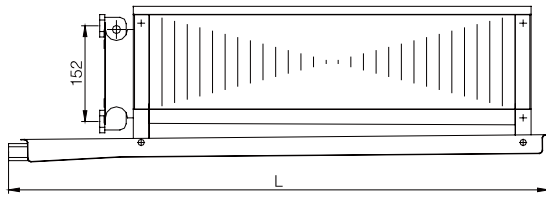
Modified coefficient of heating supply capacity for variable working conditions

进风温度℃ Air inlet temperature	进水温度℃ Water inlet temperature						
	40	45	50	55	60	65	70
16	0.62	0.75	0.87	1.00	1.13	1.26	1.39
17	0.59	0.72	0.85	0.98	1.10	1.23	1.36
18	0.57	0.69	0.82	0.95	1.08	1.21	1.33
19	0.54	0.67	0.80	0.92	1.05	1.18	1.31
20	0.51	0.64	0.77	0.90	1.03	1.16	1.28
21	0.49	0.62	0.75	0.87	1.00	1.13	1.26
22	0.46	0.59	0.72	0.85	0.98	1.10	1.23
23	0.44	0.57	0.69	0.82	0.95	1.08	1.21
24	0.41	0.54	0.67	0.80	0.92	1.05	1.18

外形尺寸 Outside dimensions

FP-WA(ABS) 卧式暗装 (ABS风轮) 风机盘管机组 (标配型)

FP-WA (ABS) horizontal concealed (ABS wind wheel) fan coil unit (standard configuration)



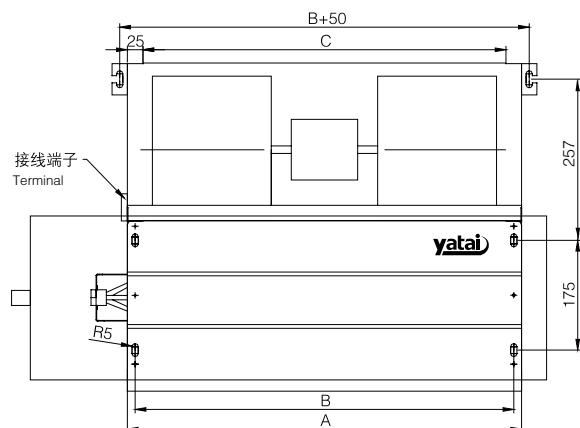
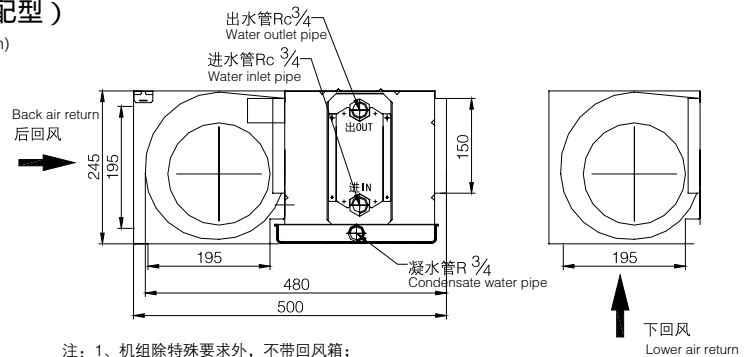
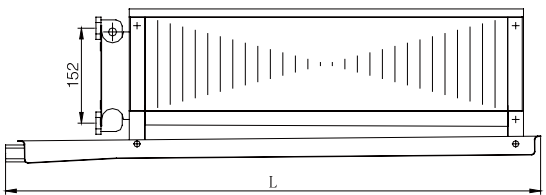
- 注：1、机组除特殊要求外，不带回风箱；
2、回风箱型机组回风方式分后回风和下回风两种（如图所示）。
3、回风箱风口法兰选配，订货时需注明。（配法兰后，长度变为525mm）
- Note: 1. Except for special requirements, the unit does not have air return box.
2. There are two types of the unit with return air box: the back return air type and the lower return air type (as shown in the figure).
3. Selection of flange of the air opening for return air box should be specified when placing order (return air box with flange installed is 525 mm long).

单位：mm Unit: mm

型号 Model	FP-34	FP-51	FP-68	FP-85	FP-102	FP-119	FP-136	FP-170	FP-204	FP-238
总长L Total length	720	910	990	1090	1160	1260	1360	1660	1860	1960
出风口长度A Length of air outlet	510	700	770	870	950	1050	1150	1410	1610	1810
吊装孔距B Lifting eye spacing	485	675	745	845	925	1025	1125	1385	1585	1785
回风口长度C Length of air inlet	460	650	720	820	900	1000	1100	1360	1560	1760

FP-WA卧式暗装 (钢制风轮) 风机盘管机组 (选配型)

FP-WA horizontal concealed (steel wind wheel) fan coil unit (optional configuration)



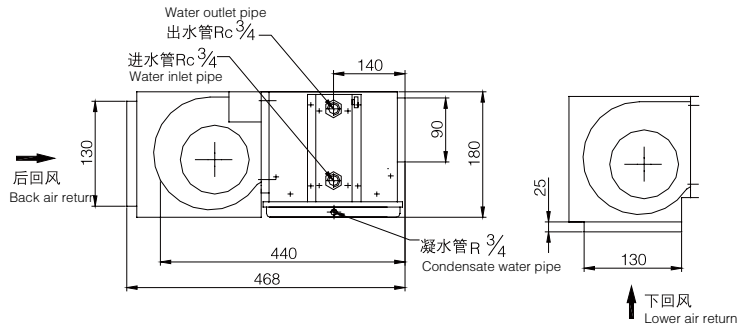
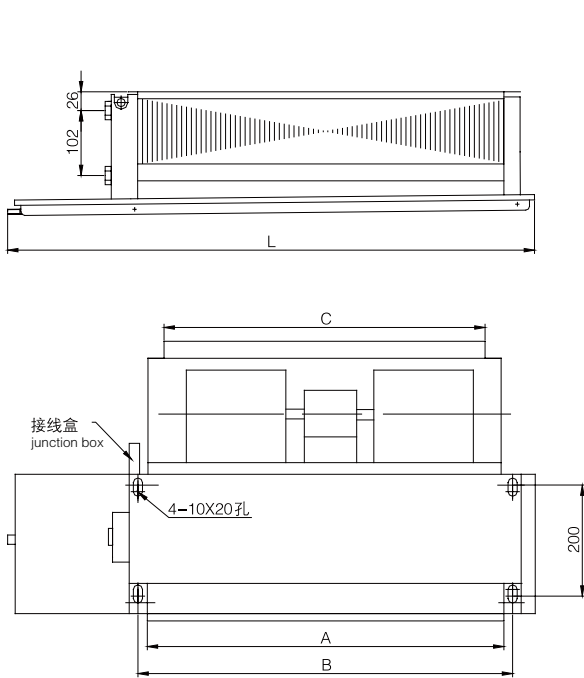
- 注：1、机组除特殊要求外，不带回风箱；
2、回风箱型机组回风方式分后回风和下回风两种（如图所示）。
3、回风箱风口法兰选配，订货时需注明。（配法兰后，长度变为525mm）
- Note: 1. Except for special requirements, the unit does not have air return box.
2. There are two types of the unit with return air box: the back return air type and the lower return air type (as shown in the figure).
3. Selection of flange of the air opening for return air box should be specified when placing order (return air box with flange installed is 525 mm long).

单位：mm Unit: mm

型号 Model	FP-34	FP-51	FP-68	FP-85	FP-102	FP-119	FP-136	FP-170	FP-204	FP-238
总长L Total length	720	860	990	1090	1160	1260	1360	1660	1860	1960
出风口长度A Length of air outlet	510	630	770	870	950	1050	1150	1410	1610	1810
吊装孔距B Lifting eye spacing	485	605	745	845	925	1025	1125	1385	1585	1785
回风口长度C Length of air inlet	460	580	720	820	900	1000	1100	1360	1560	1760

FP-WAB卧式暗装超薄型风机盘管机组

FP-WAB horizontal concealed super thin fan coil unit



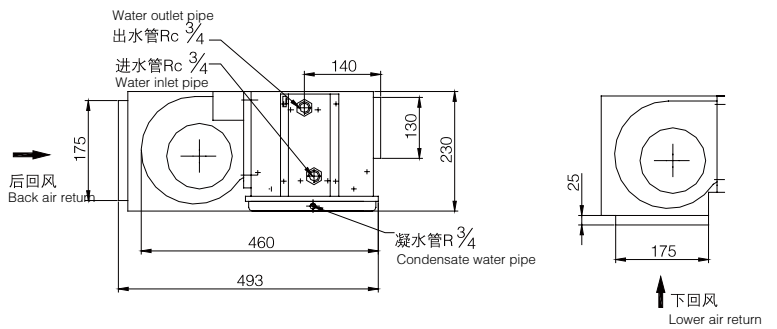
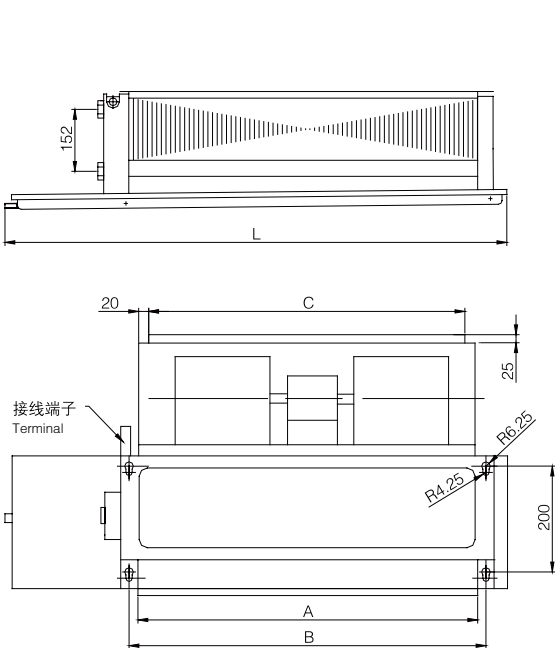
注：1、机组除特殊要求外，不带回风箱；
2、回风箱型机组回风方式分后回风和下回风两种（如图示）。
Note: 1. Except for special requirements, the unit does not have air return box.
2. There are two types of the unit with return air box: the back return air type and the lower return air type (as shown in the figure).

单位：mm Unit: mm

型号 Model	FP-34	FP-51	FP-68	FP-85	FP-102
总长L Total length	970	1090	1220	1360	1570
出风口长度A Length of air outlet	650	780	900	1020	1250
吊装孔间距B Lifting eye spacing	680	810	930	1050	1280
回风口长度C Length of air inlet	610	740	860	980	1210

FP-WAG卧式暗装干式风机盘管机组

FP-WAG horizontal concealed dry type fan coil unit



注：1、机组除特殊要求外，不带回风箱；
2、回风箱型机组回风方式分后回风和下回风两种（如图示）。
3、供冷：进、出水温度16℃/21℃，进口空气干球温度DB26.0℃，湿球温度WB18.7℃。
4、供热：进水温度60（或45℃），进口空气干球温度DB21.0℃，湿球温度≤15℃。
Note: 1. Except for special requirements, the unit does not have air return box.
2. The return air box type unit is divided into two kinds: the back return air type and the lower return air type (as shown in the figure).
3. cooling: inlet and outlet temperature 16℃/21℃, inlet air dry bulb temperature DB26.0℃, wet bulb temperature WB18.7℃.
4. heating: inlet water temperature 60/45℃, inlet air dry bulb temperature DB21.0℃, wet bulb temperature ≤15℃.

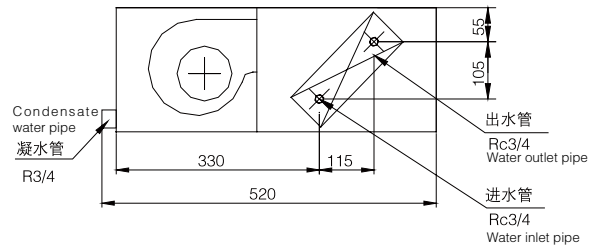
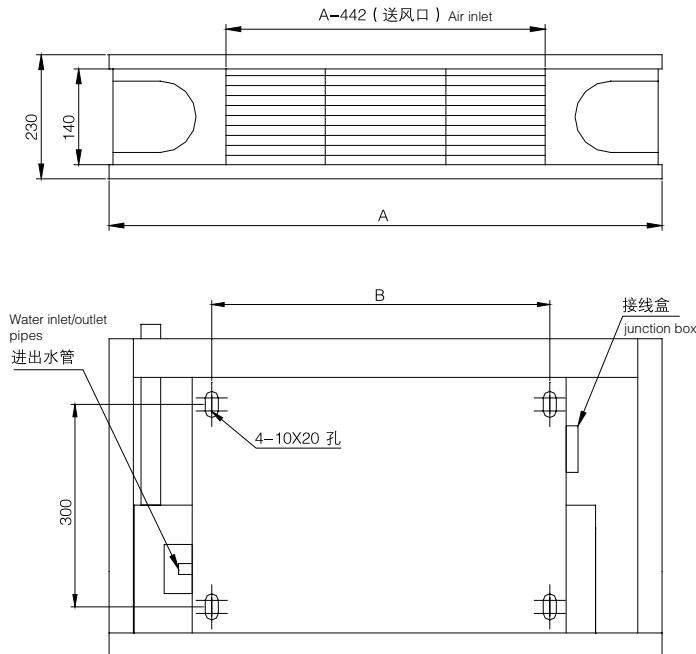
单位：mm Unit: mm

型号 Model	FP-34	FP-51	FP-68	FP-85	FP-102	FP-119	FP-136	FP-170	FP-204	FP-238
总长L Total length	780	930	990	1090	1160	1380	1560	1860	1960	2170
出风口长度A Length of air outlet	500	650	720	820	900	1000	1280	1560	1760	1890
吊装孔间距B Lifting eye spacing	530	680	750	850	930	1130	1310	1590	1790	1920
回风口长度C Length of air inlet	460	610	680	780	860	1060	1240	1520	1720	1850



FP-WM卧式明装风机盘管机组

FP-WM horizontal exposed fan coil unit



单位: mm Unit: mm

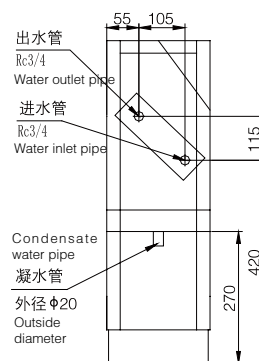
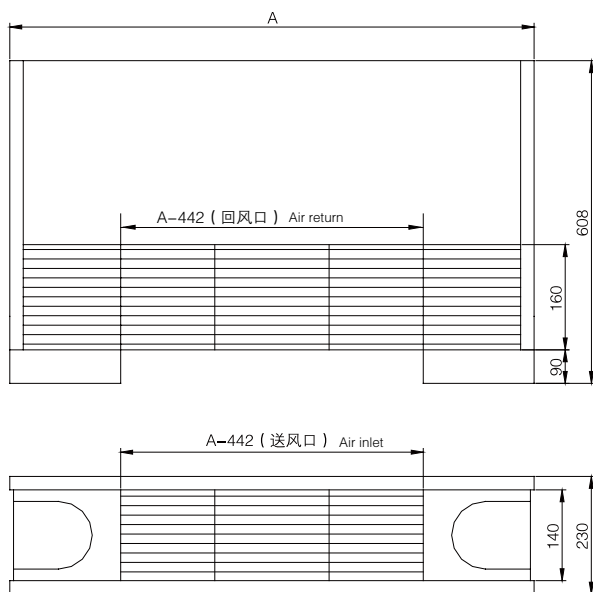
型号	FP-34	FP-51	FP-68	FP-85	FP-102	FP-119	FP-136	FP-170	FP-204	FP-238
A	942	1132	1202	1302	1382	1482	1582	1842	2042	2242
B	520	710	780	880	960	1060	1160	1420	1620	1820

- 注: 1. 侧面板采用抽拉设计, 以利机组现场安装。
2. 机组送、回风口为磁吸风口, 可自由拆卸清洗。
3. 面对出风口看进出水管, 水管在左侧为左式, 反之则为右式; 图示为左式机组。
4. 接线盒与进出水管不在同侧。
5. 回风口尺寸同FP-LM立式明装风机盘管机组。

- Note: 1. Side panels are designed to be drawn and pulled to facilitate on-site installation of the unit.
2. The air supply and return outlet of the unit is magnetic suction type, which can be disassembled and cleaned freely.
3. In the face of the air outlet to see the inlet and outlet water pipes, unit with the water pipes on the left side is left type and vice versa; The drawing shows the left type unit.
4. The junction box is not on the same side with the inlet and outlet water pipes.
5. The return air inlet size is the same as FP-LM vertical exposed type fan coil unit.

FP-LM立式明装风机盘管机组

FP-LM vertical exposed type fan coil unit



- 注: 1. 凝水管出水方向向下。
2. 侧面板采用抽拉设计, 以利机组现场安装。
3. 机组送、回风口为磁吸风口, 可自由拆卸清洗。
4. ABS出风口百叶出风角度75°。
5. 进出水管连接方式为后接管, 电机接线与进出水管不在同侧。

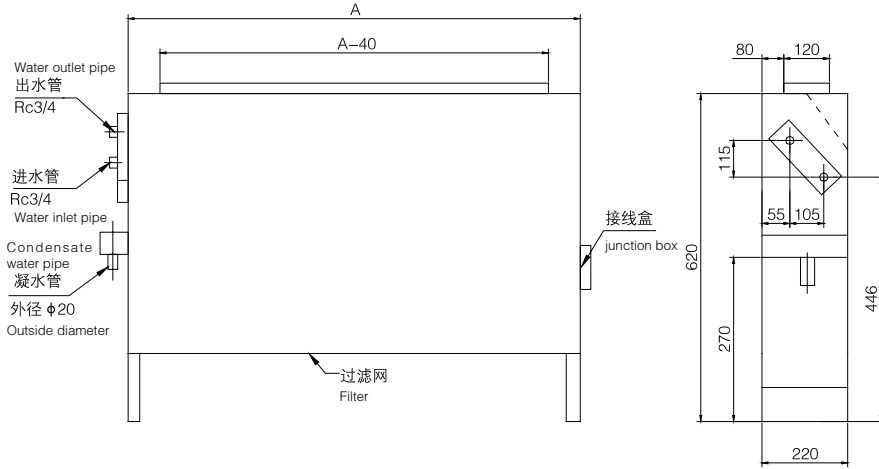
1. The outlet direction of the condensate pipe is downward.
2. Side panels are designed to be drawn and pulled to facilitate on-site installation of the unit.
3. The air supply and return outlet of the unit is magnetic suction type, which can be disassembled and cleaned freely.
4. Air leaving angle of the louver of ABS air outlet is 75°.
5. Connection types of inlet and outlet water pipes are: back connection. Motor wiring and inlet and outlet water pipes are not on the same side.

单位: mm Unit: mm

型号 Model	FP-34	FP-51	FP-68	FP-85	FP-102	FP-119	FP-136	FP-170	FP-204	FP-238
A	942	1132	1202	1302	1382	1482	1582	1842	2042	2242

FP-LA立式暗装风机盘管机组

FP-LA vertical concealed fan coil unit



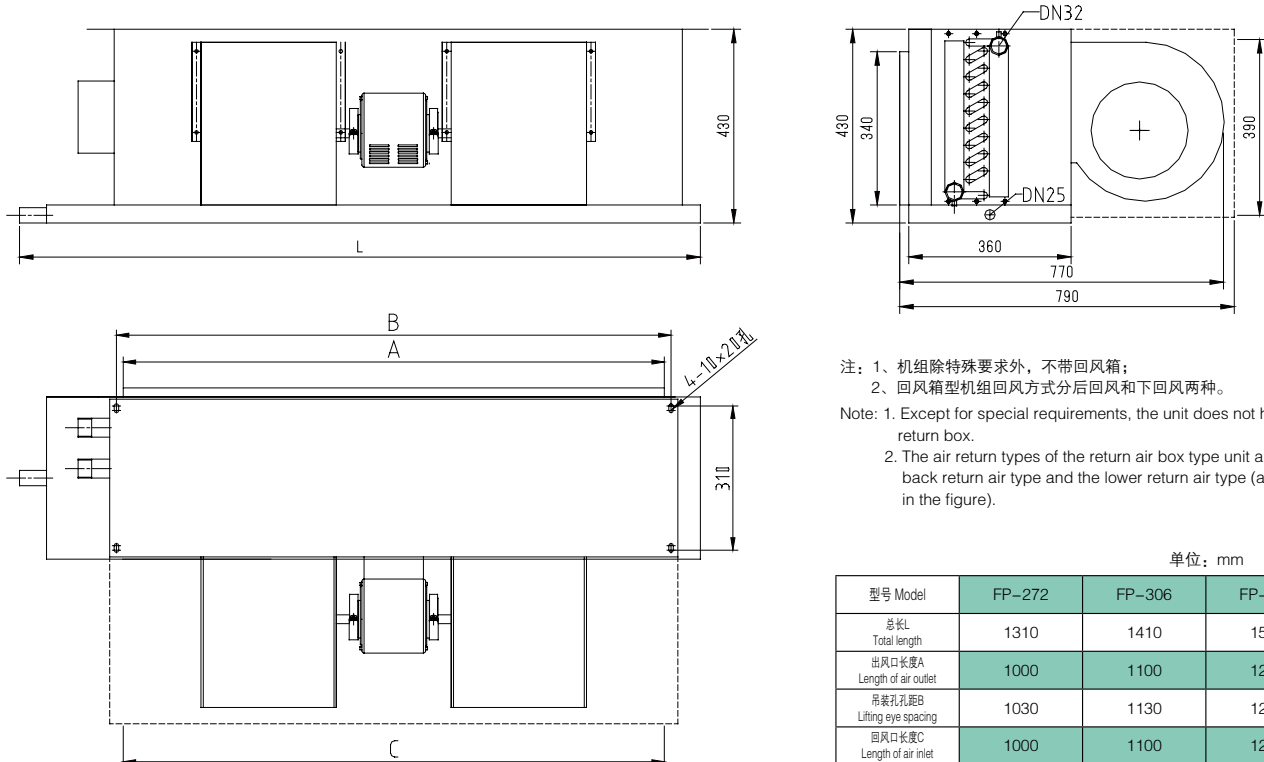
- 注: 1、凝水管出水方向可根据客户要求选择。
2、出风口出风方向分上出风和斜出风两种(图示为上出风)。
3、接线盒与进水管不在同侧。
- Note: 1. The outlet direction of the condensate pipe can be selected according to customer requirements.
2. The direction of air outlet can be divided into two kinds: upper air outlet and oblique air outlet (as shown in the figure).
3. The junction box is not on the same side as the inlet and outlet water pipe.

单位: mm Unit: mm

型号 Model	FP-34	FP-51	FP-68	FP-85	FP-102	FP-119	FP-136	FP-170	FP-204	FP-238
A	540	730	800	900	980	1080	1180	1440	1640	1840

FP-WA大风量卧式暗装风机盘管机组

FP-WA big volume horizontal type concealed fan coil unit



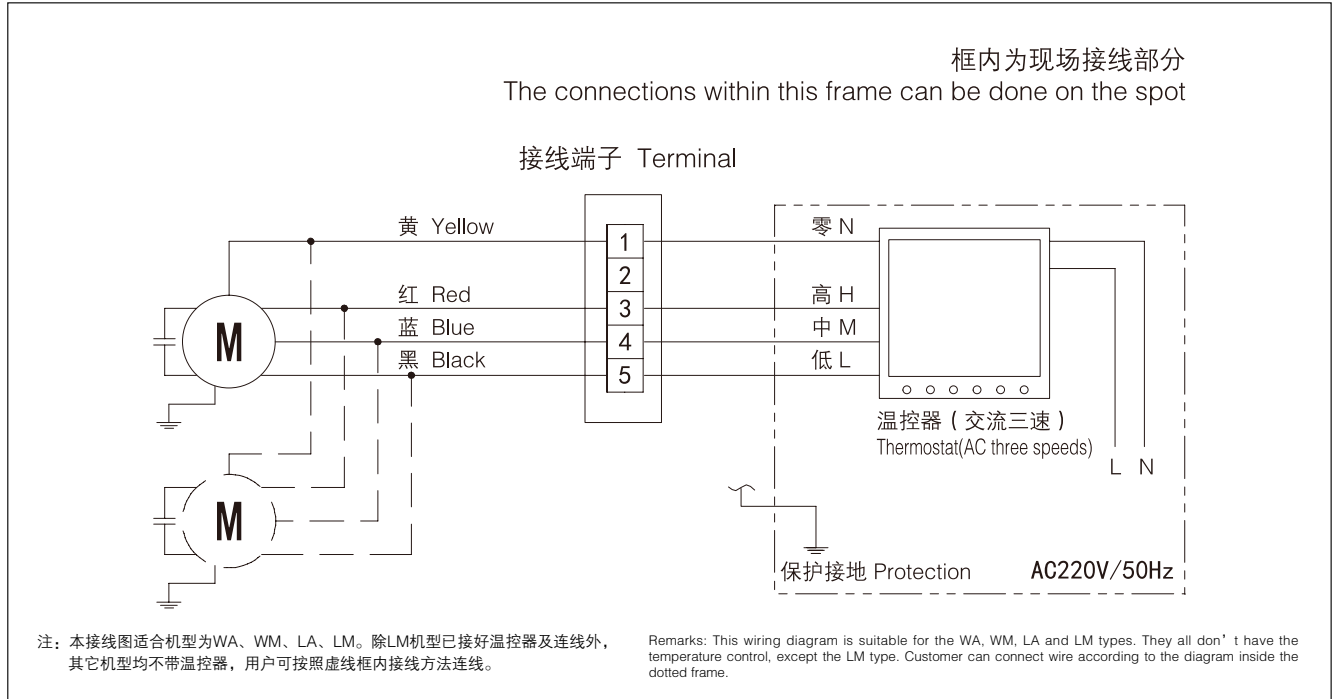
- 注: 1、机组除特殊要求外, 不带回风箱;
2、回风箱型机组回风方式分后回风和下回风两种。
- Note: 1. Except for special requirements, the unit does not have air return box.
2. The air return types of the return air box type unit are: the back return air type and the lower return air type (as shown in the figure).

单位: mm Unit: mm

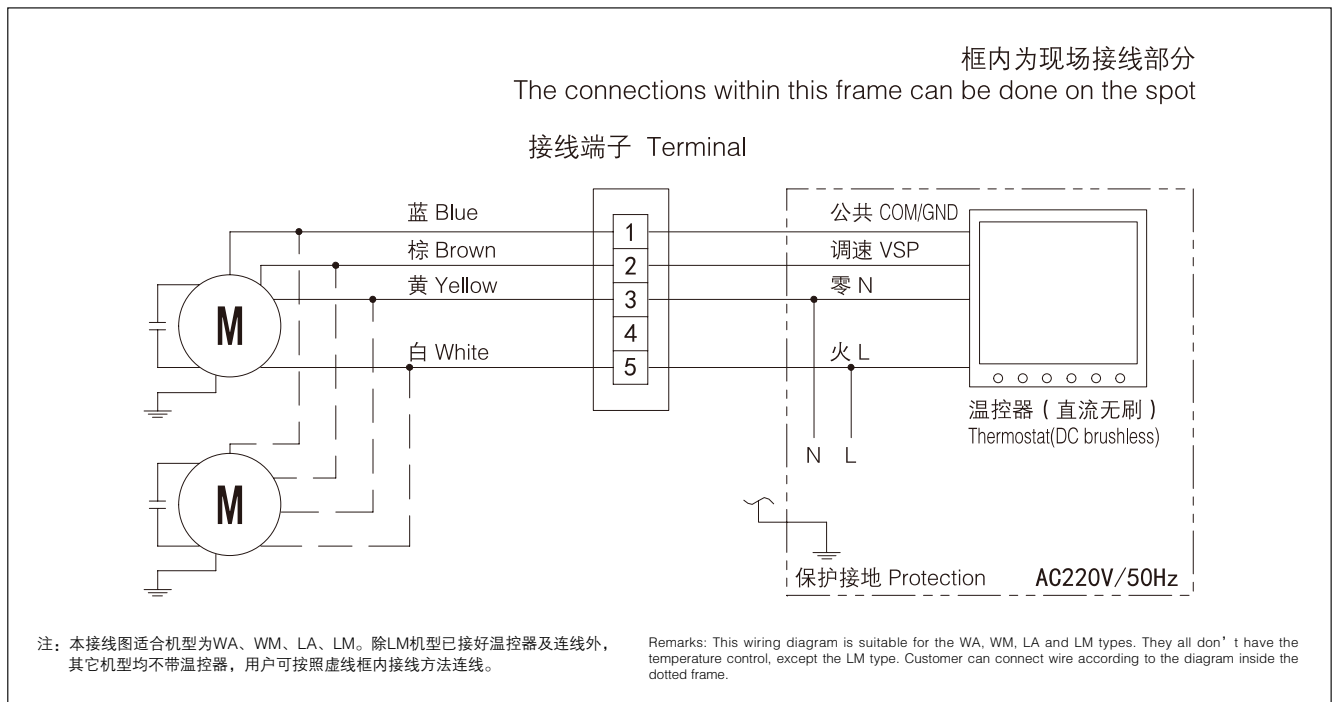
型号 Model	FP-272	FP-306	FP-340
总长 Total length	1310	1410	1510
出风口长度A Length of air outlet	1000	1100	1200
吊装孔距B Lifting eye spacing	1030	1130	1230
回风口长度C Length of air inlet	1000	1100	1200



电气原理图 (交流三速型) Electric diagram (AC three speeds model)

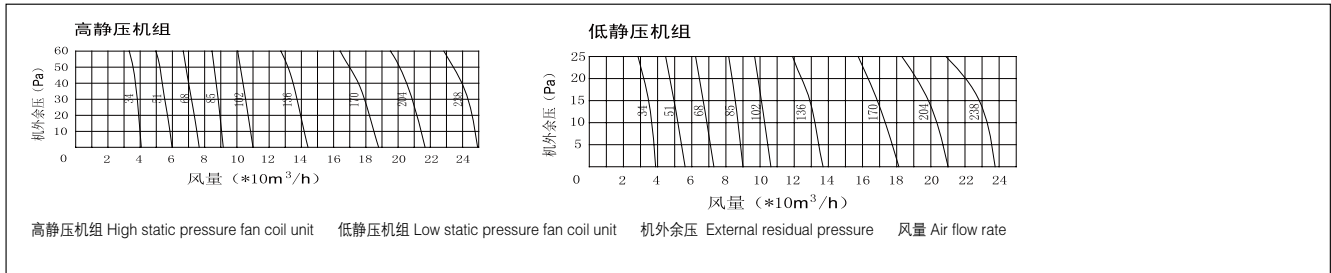


电气原理图 (直流无刷型) Electric diagram (DC brushless model)



风机性能

Fan performance

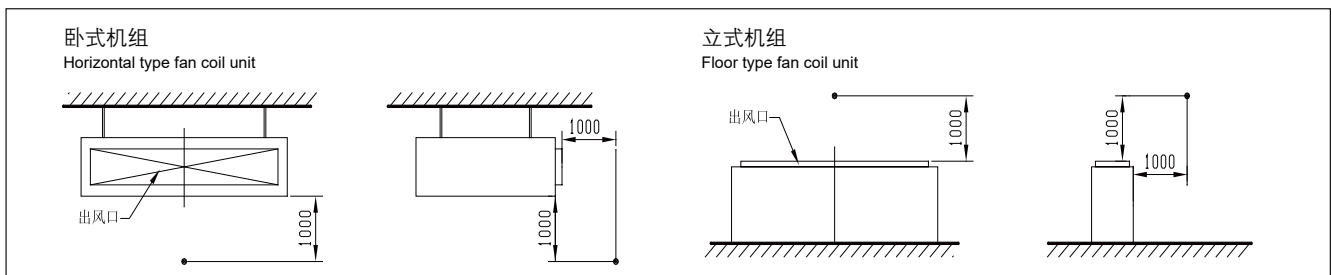


图表曲线测定条件：1、空气为标准干燥状态。2、机组未装过滤器及送回风格栅。3、机组高速运转。

Chart curve measurement conditions: 1. the air is in the standard dry state. 2. The unit is not equipped with filter and return, supply air grilles. 3. Unit is in high speed operation.

噪声测定条件

Noise measurement condition



注：1、背景噪音为16.5dB(A)的全消声室。 2、·为标定传声器位置。 3、图示单位：mm

Note: 1. Anechoic chamber with 16.5 dB(A) background noise. 2. · is the location of microphone 3. Unit :mm

安装维护使用说明

Introduction of installation and maintenance

1、机组安装

- ◆在搬运过程中应小心轻放，不得手执叶轮或蜗壳来移动机组。
- ◆注意保持机组各部件完整无损，并防止异物进入蜗壳或表冷器内。
- ◆机组主体须水平设置，否则会影响冷凝水的排泄而导致漏水。
- ◆机组只可承受本身重量，不能承受水管等其它外力。安装位置要留有足够的维修空间。

2、管路配置

- ◆水流方向下进上出，进出水管应采用挠性连接。作业时切忌用力过猛。
- ◆进出水管、冷凝水管及阀门均须作严格的防露施工。同时要对保温材料进行认真的端部处理，以免冷凝水渗透到保温材料的内部。

3、电气接线

- ◆电源：220V ± 10%，50Hz。
- ◆机组接线时请严格按照电气原理图进行，在错误的接线状态下运行机组，会损坏电机。
- ◆严禁多台机组共用一个开关或高中低三挡任两挡接在同一根线上，以防烧毁电机。
- ◆接线盒底端设接地螺栓，供安装时与保护接地系统连接。

4、供水要求

- ◆机组夏季运行供冷水温不低于5℃，冬季供热水温不高于80℃，且要求水质清洁软化，水温25℃时PH值为6.8~8（参照：



组合式空调机组
Combination air-handling units



吊顶式空调机组KD(D)系列
Computer-controlling fiberglass enrinding pipes



风机盘管机组
Fan-coils



空调部件系列
Parts of air-conditioners

GB50050)。禁止使用蒸汽及85℃以上的热水，否则送风温度过高，将会导致故障和危害。

- ◆ 机组长期停用时，盘管内应充满水，以减少管路的腐蚀。
- ◆ 冬季停用或安装调试时，需将盘管内水排净或采取其它防冻措施，以防管路冻裂。

5、注意事项

- ◆ 机组首次运行及冷热转换前需开启放气阀，将管路内空气排净，否则会影响传热效果。
- ◆ 明装盘管外壳系喷塑件，切忌用稀料或汽油进行清洗。
- ◆ 机组启动时，调节最好从高档启动再进行其它档次选择。
- ◆ 在超出下列条件时，机组可能会凝露，此时应将水温提高或将水量调小。

项目	条件
进风空气状态	DB27℃、WB24℃、RH78%
运行状态	标准最小风量
进水温度	6℃
水量	标准水量
运行时间	8h

6、使用维护

- ◆ 表冷器和过滤网要定期清洁，以利风路畅通，保证换热效率。
- ◆ 机组出现故障时，应由专业人员进行维修。

1. Installation

- ※ Handle the unit with care. Holding impeller or volute by hand to move it is forbidden.
- ※ Make sure every part of the fan coil unit is undamaged and no foreign matters go inside the volute or surface cooler.
- ※ The unit should be laid horizontally or the discharge of condensate water will be impeded and cause leakage.
- ※ Fan coil unit only bears its own weight, not weight from others like water pipes. Enough maintenance space shall be available.

2. Pipeline layout

- ※ Water shall feed into the fan coil unit from the bottom and exhaust from its top and the water in/out pipes are connected flexibly. Overexertion is forbidden when assembling.
- ※ Anti-dew treatment must be done at water in/out pipes, condensate pipes and valves. Meanwhile the ends of insulation materials must be treated seriously in case condensate water infiltrates into its inside.

3. Electrical wiring

- ※ Power supply: 220V ± 10%, 50Hz.
- ※ Must abide by the electrical schematic diagram when wiring. If running the fan coil unit under the wrong wiring, motor would be damaged.
- ※ Many fan coil units sharing one switch or any two stages of H,M,L stages sharing one power supply cable are forbidden in case the motor is burned.
- ※ The bottom of the junction box is provided with a grounding bolt for connection with the protective grounding system during installation.

4. Water feed requirement

- ※ If the unit runs in summer, its cold water supply temperature should be more than 5℃; in winter, its hot water supply temperature should be less than 80℃. Water should be soft-treated and clean. Hot water or steam over 85℃ are forbidden, or the over-high air supply temperature could lead to malfunction and danger.
- ※ When the unit is out of service for a long time, the coil pipe should be filled with water to reduce the corrosion of the pipeline.
- ※ When disusing or installing and debugging in winter, the water in the coil pipe should be drained or other anti-freezing measures should be taken to prevent the pipe from freezing and cracking.

5. Matters need attention

- ※ Before the first time operation of the unit and the conversion of cold and heat, the air discharge valve should be opened to exhaust air in the pipeline. Otherwise the heat transfer effect will be affected.
- ※ The shell of exposed installation fan coil unit is plastic spray parts. Do not use dilute or gasoline for cleaning.
- ※ When the unit starts, the best adjustment is to start from high gear and then choose other gears.
- ※ When beyond the following conditions, the unit may have condensate water. At this time the water temperature or water flow should be reduced.

Items	Conditions
Air intake conditions	DB27 、WB24 、RH78%
Running mode	Min. standard air flow rate
Water feed temperature	6
Water flow rate	Standard water flow rate
Running time	8h

6. Maintenance

- ※ Washing and cleaning the filters and surface cooler regularly in order to keep the air flow smoothly and heat exchange efficiently.
- ※ When the unit breaks down, it should be repaired by professional personnel.



BUILD REPUTATION ON PROJECTS

只要努力满足客户的需求

继续引入更多的优质产品

我们一定能够培育出一个稳定的顾客群体

实现销售网络持续、稳定的增长

If we strive to meet the demands of the clients

continue to produce more products with high quality

We will nourish and set up a steadfast client group

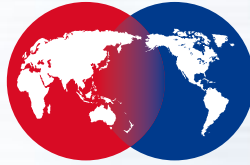
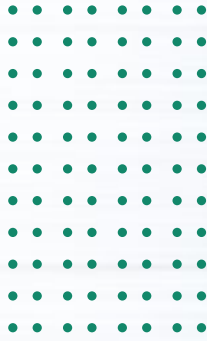
to realise the stable and steadfast expansion of the sales net

优良的品质和周到的服务，亚太集团取得了骄人的业绩。亚太洁净技术工程接连获得了北京小汤山医院、武汉火神山医院、武汉雷神山医院等近百家医院的青睐，以其洁净技术的杰出性能和净化实力，获得市场信任，树立用户口碑。

With excellent quality and considerate service, Yatai Group has made remarkable achievements. Its purification technology projects are successively favored by Xiaotangshan hospital in Beijing, Huoshenshan hospital and Leishenshan hospital in Wuhan. The outstanding performance of clean technology and purification strength have gained market trust for Yatai Group and established its reputation among users.



样本名称：风机盘管机组 样本序号：SDYT-YB-B3 印刷时间：2025年03月（1000） 开本：1194-889竖16开



www.yatai.cc



地址：德州市大学东路1186号
电话：(0534) 2551888 传真：(0534) 2551887
电子信箱：yatai@yatai.cc
Add: No.1186 East of University Road,Dezhou City
Tel: (0534) 2551888 Fax: (0534) 2551887
Http://www.yatai.cc E-mail:yatai@yatai.cc

亚太集团各办事处联系方式：How to contact the branches of Yatai Group：

北京办事处 电话：(010)51908328 传真：(010)51908329 Beijing Office Tel:(010)50918328 Fax:(010)50918329	天津办事处 电话：(022)28350313 传真：(022)28350323 Tianjin Office Tel:(022)28350313 Fax:(022)28350323	山西办事处 电话：(0351)3377255 传真：(0351)3377256 Shanxi Office Tel:(0351)3377255 Fax:(0351)3377256	陕西办事处 电话：(029)87998107 传真：(029)87998105 Shanxi Office Tel:(029)87998107 Fax:(029)87998105	内蒙古办事处 电话：(0471)6914102 传真：(0471)6914103 Neimenggu Office Tel:(0471)6914102 Fax:(0471)6914103	河南办事处 电话：(0371)66205099 传真：(0371)66205228 Henan office Tel:(0371)66205099 Fax:(0371)66205228	辽宁办事处 电话：(024)31963712 传真：(024)31963711 Liaoning Office Tel:(024)31963712 Fax:(024)31963711
青岛办事处 电话：(0532)55669351 传真：(0532)55669350 Qingdao Office Tel:(0532)55669351 Fax:(0532)55669350	安徽办事处 电话：(0551)64274878 传真：(0551)64274868 Anhui Office Tel:(0551)64274878 Fax:(0551)64274868	四川办事处 电话：(028)83317691 传真：(028)83317692 Sichuan Office Tel:(028)83317691 Fax:(028)83317692	甘肃办事处 电话：(0931)8426317 传真：(0931)8426357 Gansu Office Tel:(0931)8426317 Fax:(0931)8426357	吉林办事处 电话：(0431)81232178 传真：(0431)81232178 Jilin Office Tel:(0431)81232178 Fax:(0431)81232178	徐州办事处 电话：(0516)83061415 传真：(0516)83061462 Xuzhou office Tel:(0516)83061415 Fax:(0516)83061462	黑龙江办事处 电话：(0451)51757348 传真：(0451)51754348 Heilongjiang office Tel:(0451)51757348 Fax:(0451)51754348
宁夏办事处 电话：(0951)7659633 传真：(0951)7659633 Ningxia Office Tel:(0951)7659633 Fax:(0951)7659633	新疆办事处 电话：(0991)6634488 传真：(0991)6628805 Xinjiang Office Tel:(0991)6634488 Fax:(0991)6628805	雄安新区办事处 电话：(0312)5621156 传真：(0312)5621157 Xiongan New Area Office Tel:(0312)5621156 Fax:(0312)5621157	湖北办事处 电话：(027)84638881 传真：(027)84638882 Hubei Office Tel:(027)84638881 Fax:(027)84638882			